

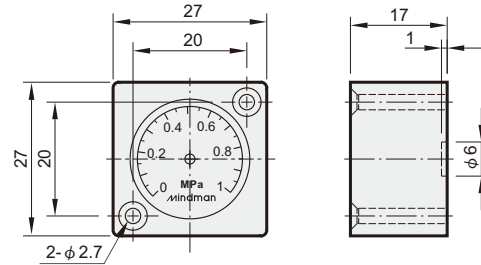


Specification

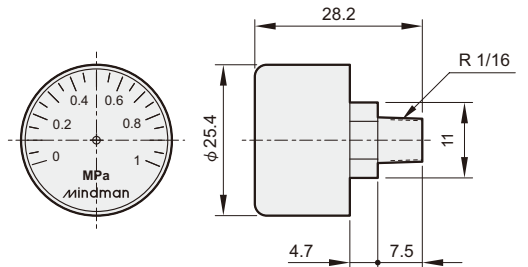
Model	PG-20	PG-25	PG-33	PG-40	PG-50
Bore No.	—	—	6A	6A	8A
Port size	—	1/16	1/8	1/8	1/4
Medium	Air				
Operating pressure range	By order specifications				
Precision	JIS 2.5 class or ASME B class				
Ambient temperature	-5~+60°C (No freezing)				
Weight	11 g	17 g	34 g	54 g	108 g

※ Please consult us if out of specification.

PG-20

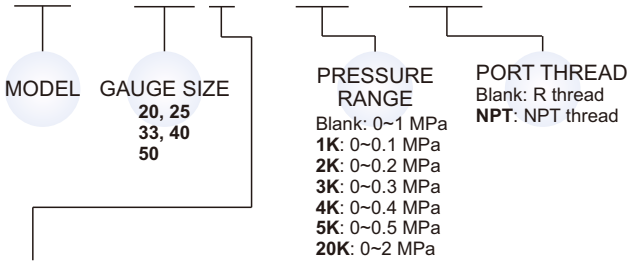


PG-25



Order example

PG — 40 S — 1K — NPT



CASE MATERIAL

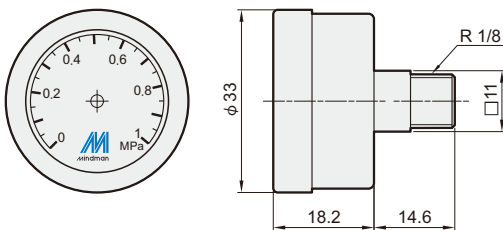
Code Model	W	S	Note
PG-20	○	○	W(White)
PG-25	○		
PG-33		○	
PG-40	○	○	W(Electroplating)
PG-50	○		

※ Blank: Standard type (Black)
PG-25 standard type (Gray)
※ S: Stainless steel

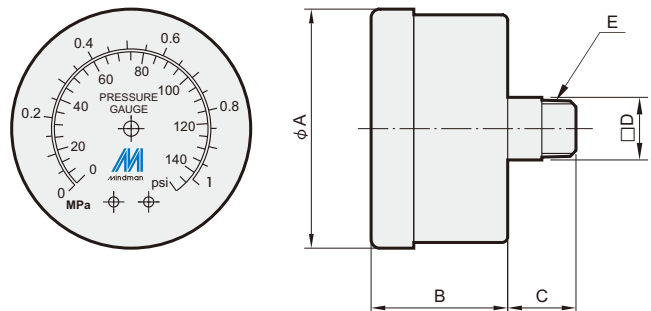
Code Model	1K	2K	3K	4K	5K	20K
PG-20	○	×	×	×	×	×
PG-20W	○	×	×	×	×	×
PG-25	○	×	×	×	×	×
PG-33S	○	×	○	×	○	×
PG-40	○	○	○	○	○	○
PG-40W	○	○	○	○	○	○
PG-40S	○	×	×	×	×	×
PG-50	○	×	×	×	×	○

PG-33S

※ Only for SUS case.



PG-40 / 50



Code Tube ID	A	B	C	D	E
PG-40	42	25	15	11	R1/8
PG-50	53	26.5	22.5	14	R1/4