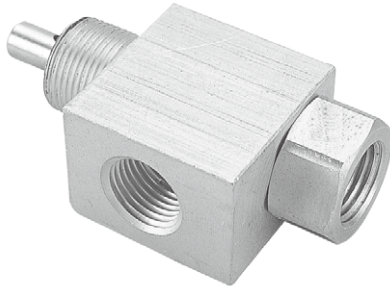


# MVHF-2P/3P-NC

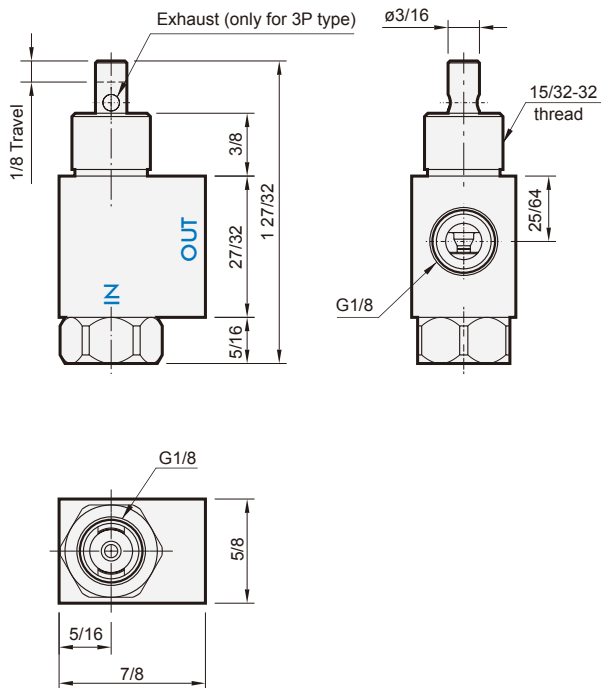
HAND VALVE



## Specification

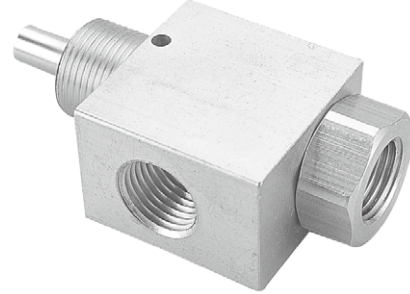
Type	Normally CLOSED 3-way poppet
Medium	Air
Stem travel	1/8"
Input pressure	150 psig max.
Effective orifice	7.2 mm <sup>2</sup>
Force for full stem travel	38 oz. nominal
Temperature range	32°F~230°F
Ports	Input: G1/8 *, Output: G1/8 *
Exhaust	Hole to atmosphere
Mounting	15/32-32 male thread nuts and lock washers furnished
Weight	65 g

\* Port thread NPT. are also available.



# MVHF-3P-NO

HAND VALVE



## Specification

Type	Normally OPEN 3-way poppet
Medium	Air
Stem travel	1/8"
Input pressure	150 psig max.
Effective orifice	5.7 mm <sup>2</sup>
Force for full stem travel	38 oz. nominal
Temperature range	32°F~230°F
Ports	Input: G1/8 *, Output: G1/8 *
Exhaust	Hole to atmosphere
Mounting	15/32-32 male thread nuts and lock washers furnished
Weight	69 g

\* Port thread NPT. are also available.

