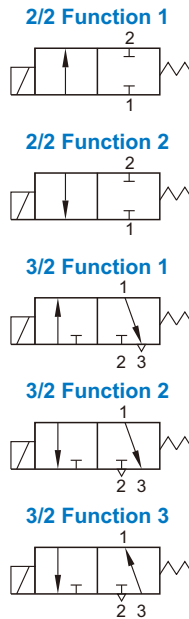
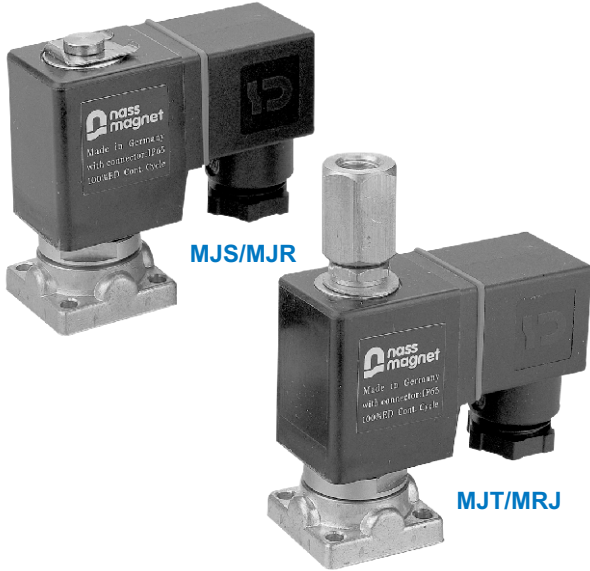


# MJ\* / MRJ series

2/2, 3/2 WAY N.C., N.O. PLUNGER TYPE ACTUATOR VALVE



mindman



## Specification

- IP65 100% ED coil
- PTB approval EExmIIT4 coil
- For air, water, gas, oil, vacuum ( $10^{-3}$  torr).

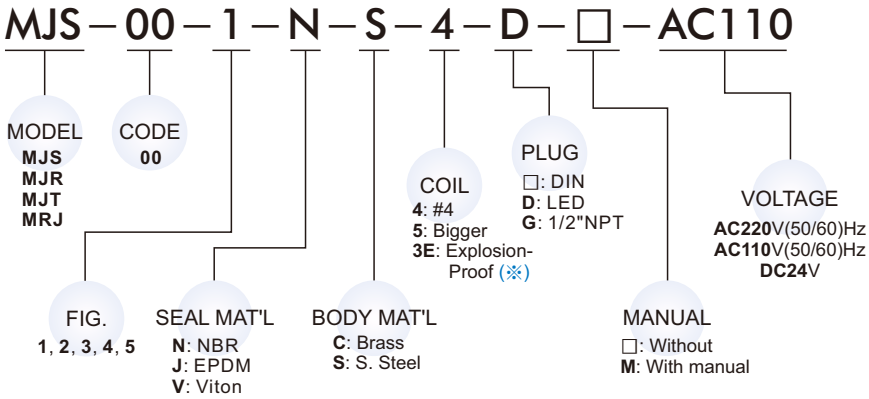
## Power consumption

Coil power	4	5	3E
AC(VA)	17.6/15.4	33/23	9.2
DC(W)	15	18.5	10

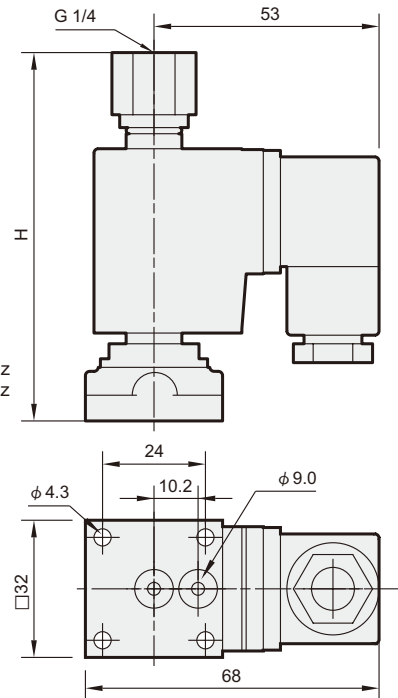
## Dimensions

Model	MJS/MJR	MJT/MRJ
Code Dimension (mm)	00	
H	67	86
N.W.(Kg)	0.31	0.32

## Order example



※ Explosion-Proof (3E) coil with LED (D) plug is not applicable.



Specification

Model **MJS**: Brass body, 2/2 way N.C. actuator valve.

Code	Fig. no.	Mat'l		Coil	Orifice mm	Temp. 5~°C						Working press. (0~ bar)						CV
		Seal	Body			Coil 4/3E			Coil 5			Coil 4		Coil 5		Coil 3E		
						N	J	V	N	J	V	Function 1						
												AC	DC	AC	DC	AC	DC	
00	1	N	C	S*	4 5 3E	80	150	90	150	1.6	30	20	40	30	20	14	0.10	
	2										20	14	30	20	14	10	0.15	
	3										14	10	20	14	10	7	0.20	
	4										10	7	14	10	7	5	0.31	
	5										7	5	10	7	5	4	0.42	

Model **MJR**: Brass body, 2/2 way N.C. round trip actuator valve.

Code	Fig. no.	Mat'l		Coil	Orifice mm	Temp. 5~°C						Working press. (0~ bar)						CV		
		Seal	Body			Coil 4/3E			Coil 5			Coil 4		Coil 5		Coil 3E				
						N	J	V	N	J	V	1	2	1	2	1	2			
												AC	DC	A/DC	AC	DC	A/DC		AC	DC
00	1	N	C	S*	4 5 3E	80	150	90	150	1.6	30	20	10	40	30	14	20	14	7	0.10
	2										20	14	7	30	20	10	14	10	5	0.15
	3										14	10	5	20	14	7	10	7	4	0.20
	4										10	7	4	14	10	5	7	5	3	0.31
	5										7	5	2	10	7	4	5	4	2	0.42

Model **MJT**: Brass body, 3/2 way N.C. actuator valve.

Code	Fig. no.	Mat'l		Coil	Orifice mm		Temp. 5~°C						Working press. (0~ bar)						CV
		Seal	Body		Body	Top	Coil 4/3E			Coil 5			Coil 4		Coil 5		Coil 3E		
							N	J	V	N	J	V	1	2	1	2	1	2	
													10	16	14	20	7	10	
00	1	N	C	S*	4 5 3E	80	150	90	150	1.6	1.6	10	16	14	20	7	10	0.10	
	2											7	10	5	5	5	0.15		
	3											5	13	7	16	4	7	0.20	
	4											4	10	5	13	3	5	0.31	
	5											2	7	4	10	2	3	0.42	

Model **MRJ**: Brass body, 3/2 way N.O. actuator valve.

Code	Fig. no.	Mat'l		Coil	Orifice mm		Temp. 5~°C						Working press. (0~ bar)						CV
		Seal	Body		Body	Top	Coil 4/3E			Coil 5			Coil 4		Coil 5		Coil 3E		
							N	J	V	N	J	V	Function 3						
													7	10	3				
00	1	N	C	S*	4 5 3E	80	150	90	150	2.0	1.6	7	10	3	0.10				
	2											5	7	2	0.15				
	3											3	5	1	0.17				
	4											1	3	-	0.20				
	5											-	1	-	0.31				

\* S.S. body is available.