



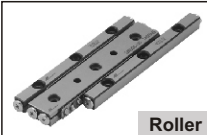

Load per roller

N/1pcs

Roller dia.	Basic dynamic load rating (C)	Basic static load rating(Co)	Allowable load (Fu)
01	125	144	48
02	293	292	97
03	638	761	254
04	1230	1170	390

Order example

MGRD — 01 — 40 — S — P

Model	Diameter	Rail length	Antirust	Precision level																
MGRD : SUS304 Retainer 	MGRD <table border="1"> <tr><td>01</td><td>φ 1.5</td></tr> <tr><td>02</td><td>φ 2.0</td></tr> <tr><td>03</td><td>φ 3.0</td></tr> <tr><td>04</td><td>φ 4.0</td></tr> </table>	01	φ 1.5	02	φ 2.0	03	φ 3.0	04	φ 4.0	20~480 mm (next table)	<table border="1"> <tr><td>—</td><td>Standard</td></tr> <tr><td>S</td><td>Antirust (※)</td></tr> </table>	—	Standard	S	Antirust (※)	<table border="1"> <tr><td>H</td><td>High grade</td></tr> <tr><td>P</td><td>Precision grade</td></tr> </table>	H	High grade	P	Precision grade
01	φ 1.5																			
02	φ 2.0																			
03	φ 3.0																			
04	φ 4.0																			
—	Standard																			
S	Antirust (※)																			
H	High grade																			
P	Precision grade																			
MGRDP : POM Retainer 	MGRDP <table border="1"> <tr><td>01</td><td>φ 1.5</td></tr> <tr><td>02</td><td>φ 2.0</td></tr> <tr><td>03</td><td>φ 3.0</td></tr> <tr><td>04</td><td>φ 4.0</td></tr> </table>	01	φ 1.5	02	φ 2.0	03	φ 3.0	04	φ 4.0											
01	φ 1.5																			
02	φ 2.0																			
03	φ 3.0																			
04	φ 4.0																			

※ Rail material :SUS440C+Ni

Rail length

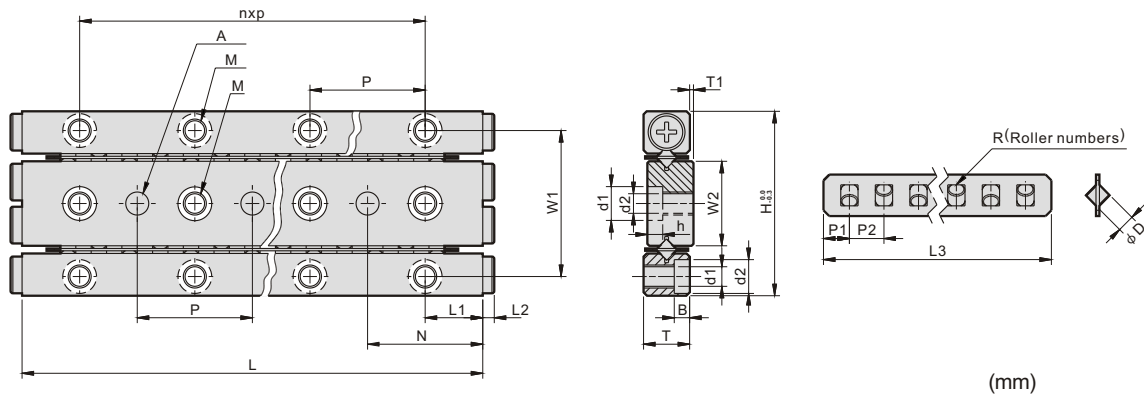
Roller dia.	Rail length (mm)
01	20, 30, 40, 50, 60, 70, 80
02	30, 45, 60, 75, 90, 105, 120, 135, 150, 165, 180
03	50, 75, 100, 125, 150, 175, 200, 225, 250, 275, 300
04	80, 120, 160, 200, 240, 280, 320, 360, 400, 440, 480

Material

Indicate Model	Rail	Roller	Retainer
MGRD	SUJ2		SUS304
MGRDP			POM
MGRD-S	SUS440C+Ni	SUS440C	SUS304

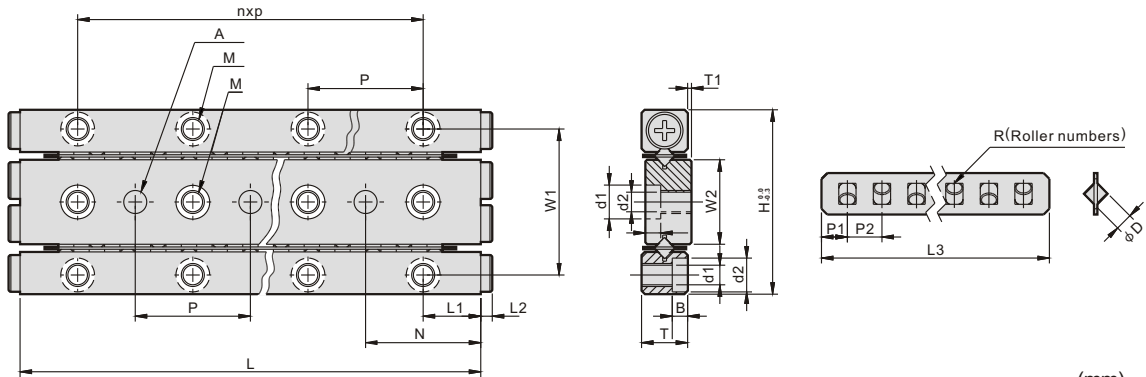
※ **MGRD-S** No finished to V-groove surface of the rail.

CROSSED ROLLER SLIDE RAIL SET



Model	Max. stroke	Main dimensions							Retainer dimensions					Mounting dimensions					Weight (g) / 2 pieces			
		H	T	$n \times p$	W1	W2	L1	L2	N	ϕD	L3	R	P1	P2	T1	M	d1	d2	A	B	Standard	Antirust
01-20	13	17	4	1 × 10	13.4	7.8	5	1.3	10	$\phi 1.5$	15.8	5	1.9	3	0.5	M2	1.65	3	$2^{+0.010}$	1.4	9	9
01-30	21			2 × 10							21.8	7									13	13
01-40	29			3 × 10							27.8	9									17	18
01-50	37			4 × 10							33.8	11									20	22
01-60	45			5 × 10							39.8	13									24	26
01-70	53			6 × 10							45.8	15									29	31
01-80	61			7 × 10							51.8	17									33	35
02-30	24	24	6	1 × 15	19	11	7.5	1.5	15	$\phi 2$	21.6	5	2.8	4	0.5	M3	2.55	4.4	$3^{+0.010}$	2	27	29
02-45	30			2 × 10							33.6	8									40	43
02-60	44			3 × 10							41.6	10									53	57
02-75	58			4 × 10							49.6	12									66	70
02-90	72			5 × 10							57.6	14									78	84
02-105	86			6 × 10							65.6	16									91	98
02-120	100			7 × 10							73.6	18									104	111
02-135	106	8 × 15	85.6	21	117	125																
02-150	120	9 × 15	93.6	23	130	139																
02-165	134	10 × 15	101.6	25	142	153																
02-180	148	11 × 15	109.6	27	155	166																
03-50	34	36	8	1 × 25	29	16.6	12.5	2	25	$\phi 3$	36.4	7	3.2	5	0.5	M4	3.3	6	$4^{+0.012}$	3.1	94	101
03-75	54			2 × 25							51.4	10									139	148
03-100	74			3 × 25							66.4	13									183	196
03-125	104			4 × 25							76.4	15									228	244
03-150	124			5 × 25							91.4	18									273	292
03-175	144			6 × 25							106.4	21									317	340
03-200	164			7 × 25							121.4	24									362	387
03-225	184	8 × 25	136.4	27	406	435																
03-250	204	9 × 25	151.4	30	451	483																
03-275	224	10 × 25	166.4	33	496	531																
03-300	244	11 × 25	181.4	36	540	579																
04-80	54	44	11	1 × 40	35	20	20	2	40	$\phi 4$	57.6	8	4.3	7	0.5	M5	4.3	7.5	$5^{+0.012}$	4.1	248	265
04-120	92			2 × 40							78.6	11									366	392
04-160	130			3 × 40							99.6	14									484	518
04-200	154			4 × 40							127.6	18									602	645
04-240	192			5 × 40							148.6	21									722	773
04-280	230			6 × 40							169.6	24									840	900
04-320	254			7 × 40							197.6	28									959	1028
04-360	292	8 × 40	218.6	31	1079	1156																
04-400	330	9 × 40	239.6	34	1197	1283																
04-440	354	10 × 40	267.6	38	1316	1411																
04-480	392	11 × 40	288.6	41	1434	1538																

CROSSED ROLLER SLIDE RAIL SET



(mm)

Model	Max. stroke	Main dimensions							Retainer dimensions					Mounting dimensions					Weight (g)		
		H	T	$n \times p$	W1	W2	L1	L2	N	ϕD	L3	R	P1	P2	T1	M	d1	d2	A	B	Standard
01-20	13	17	4	1 × 10	13.4	7.8	5	1.3	0.7	$\phi 1.5$	15.8	5	1.9	3	0.5	M2	1.65	3	$2^{+0.010}$	1.4	9
01-30	21			2 × 10							21.8	7									13
01-40	29			3 × 10							27.8	9									17
01-50	37			4 × 10							33.8	11									20
01-60	45			5 × 10							39.8	13									24
01-70	53			6 × 10							45.8	15									29
01-80	61			7 × 10							51.8	17									33
02-30	24	24	6	1 × 15	19	11	7.5	1.5	15	$\phi 2$	21.6	5	2.8	4	0.5	M3	2.55	4.4	$3^{+0.010}$	2	27
02-45	30			2 × 10							33.6	8									40
02-60	44			3 × 10							41.6	10									53
02-75	58			4 × 10							49.6	12									66
02-90	72			5 × 10							57.6	14									78
02-105	86			6 × 10							65.6	16									91
02-120	100			7 × 10							73.6	18									104
02-135	106			8 × 15							85.6	21									117
02-150	120			9 × 15							93.6	23									130
02-165	134			10 × 15							101.6	25									142
02-180	148	11 × 15	109.6	27	155																
03-50	34	36	8	1 × 25	29	16.6	12.5	2	25	$\phi 3$	36.4	7	3.2	5	0.5	M4	3.3	6	$4^{+0.012}$	3.1	94
03-75	54			2 × 25							51.4	10									139
03-100	74			3 × 25							66.4	13									183
03-125	104			4 × 25							76.4	15									228
03-150	124			5 × 25							91.4	18									273
03-175	144			6 × 25							106.4	21									317
03-200	164			7 × 25							121.4	24									362
03-225	184			8 × 25							136.4	27									406
03-250	204			9 × 25							151.4	30									451
03-275	224			10 × 25							166.4	33									496
03-300	244			11 × 25							181.4	36									540
04-80	54	44	11	1 × 40	35	20	20	2	40	$\phi 4$	57.6	8	4.3	7	0.5	M5	4.3	7.5	$5^{+0.012}$	4.1	248
04-120	92			2 × 40							78.6	11									366
04-160	130			3 × 40							99.6	14									484
04-200	154			4 × 40							127.6	18									602
04-240	192			5 × 40							148.6	21									722
04-280	230			6 × 40							169.6	24									840
04-320	254			7 × 40							197.6	28									959
04-360	292			8 × 40							218.6	31									1079
04-400	330			9 × 40							239.6	34									1197
04-440	354			10 × 40							267.6	38									1316
04-480	392			11 × 40							288.6	41									1434