

MEQYC-50 series

ROD ELECTRIC CYLINDER - BALL SCREW DRIVE (WITH MOTOR)



Mindman



Specification

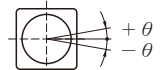
Model	MEQYC-50	
Repeatability (mm)	±0.01	
Ball screw lead (mm)	5	10
Maximum speed (mm/s) ^{※1}	250	500
Maximum payload	Horizontal(kg)	30
	Vertical (kg)	15
Rated thrust (N)	565	283
Stroke / pitch (mm) ^{※2}	50~300 / 50 Pitch	
Motor dimension (mm)	□42	
Ball screw spec (mm)	C7 φ 12	
Anti-rotating accuracy (θ) ^{※3}	±1°	

※1.The maximum speed shown here is when software speed setting is 100%.

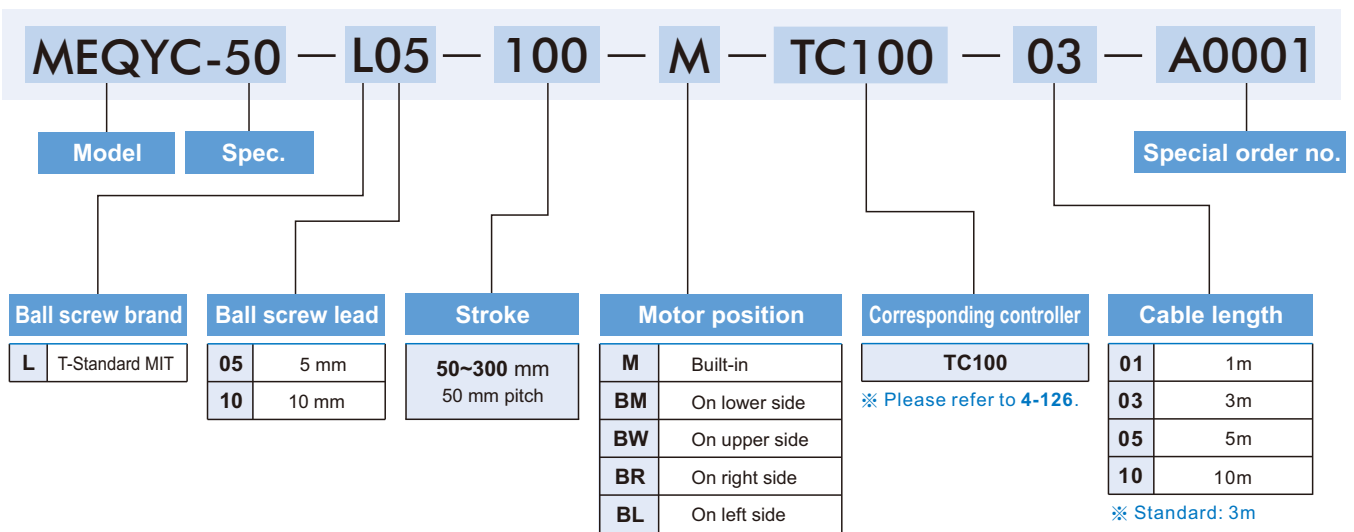
※2.When the stroke is over 200mm, the run-out of the ball screw will occur. We recommend to low down the working speed under this circumstances.

※3.Avoid using the electric actuator in such a way that rotational torque would be applied to the piston rod. This may cause deformation of the anti-rotating guide, abnormal responses of the auto switch, play in the internal guide or an increase in the sliding resistance.

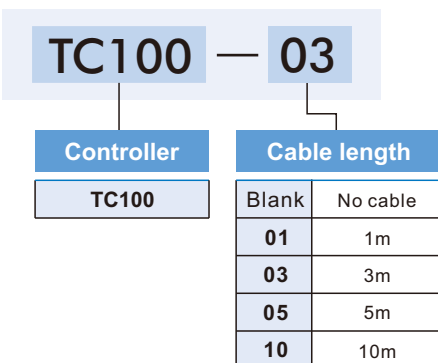
Anti-rotating accuracy of rod



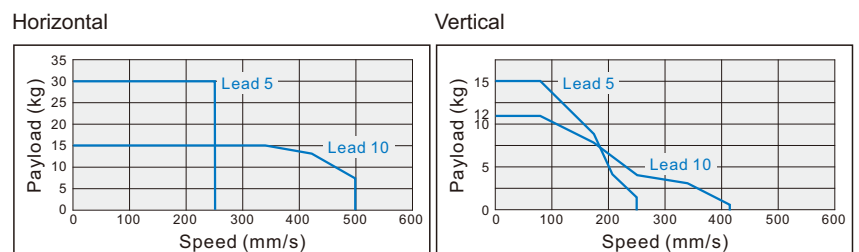
Order example of cylinder



Order example of controller



Speed-payload curve diagram

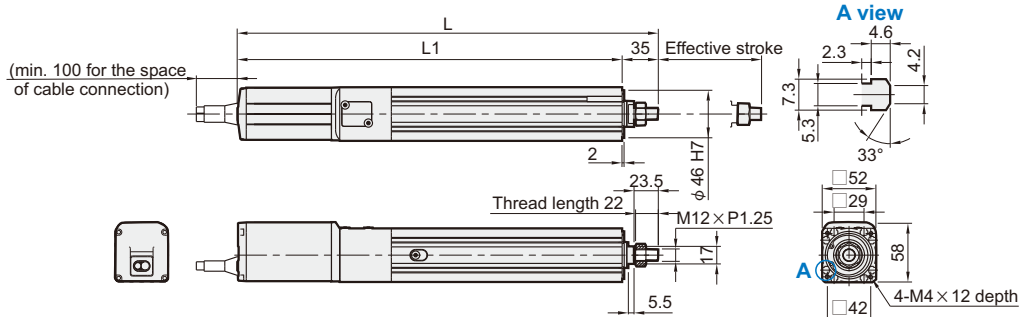


MEQYC-50 Dimensions

ROD ELECTRIC CYLINDER - BALL SCREW DRIVE (WITH MOTOR)



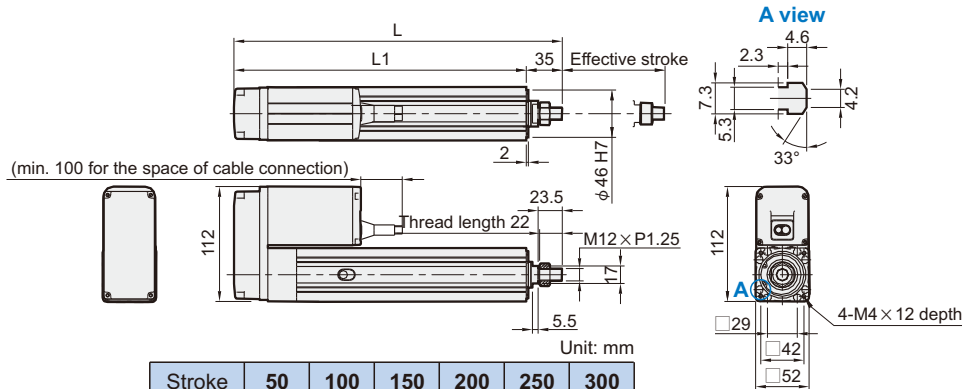
M Motor built-in



Unit: mm

Stroke	50	100	150	200	250	300
L	358	408	458	508	558	608
L1	323	373	423	473	523	573
KG	2.62	2.88	3.14	3.4	3.67	3.84

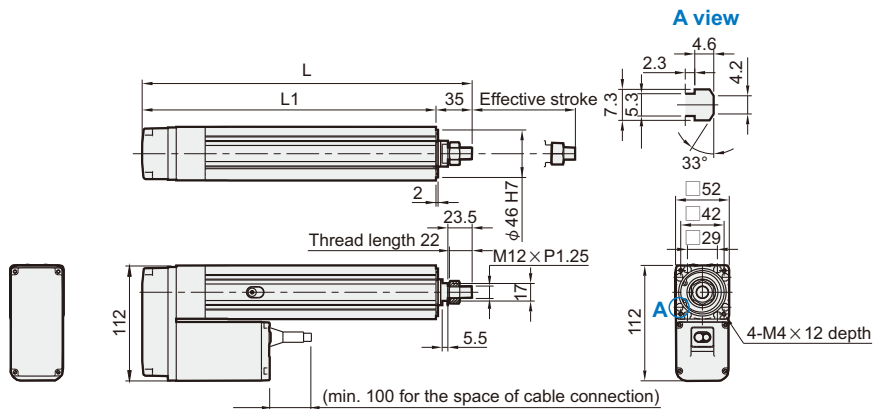
BW Motor on upper side



Unit: mm

Stroke	50	100	150	200	250	300
L	260	310	360	410	460	510
L1	225	275	325	375	425	475
KG	3.62	3.88	4.14	4.4	4.67	4.84

BM Motor on lower side



Unit: mm

Stroke	50	100	150	200	250	300
L	260	310	360	410	460	510
L1	225	275	325	375	425	475
KG	3.62	3.88	4.14	4.4	4.67	4.84

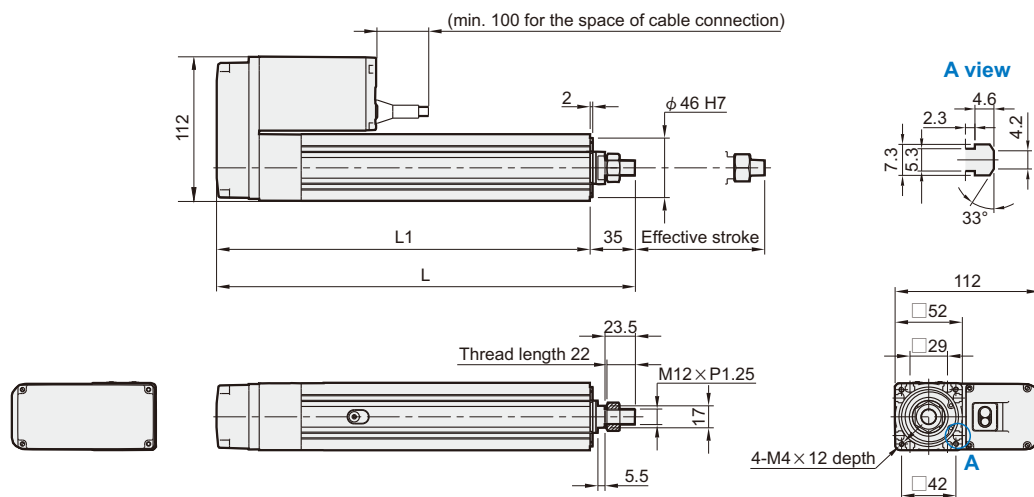
MEQYC-50 Dimensions

ROD ELECTRIC CYLINDER - BALL SCREW DRIVE (WITH MOTOR)



BR

Motor on right side

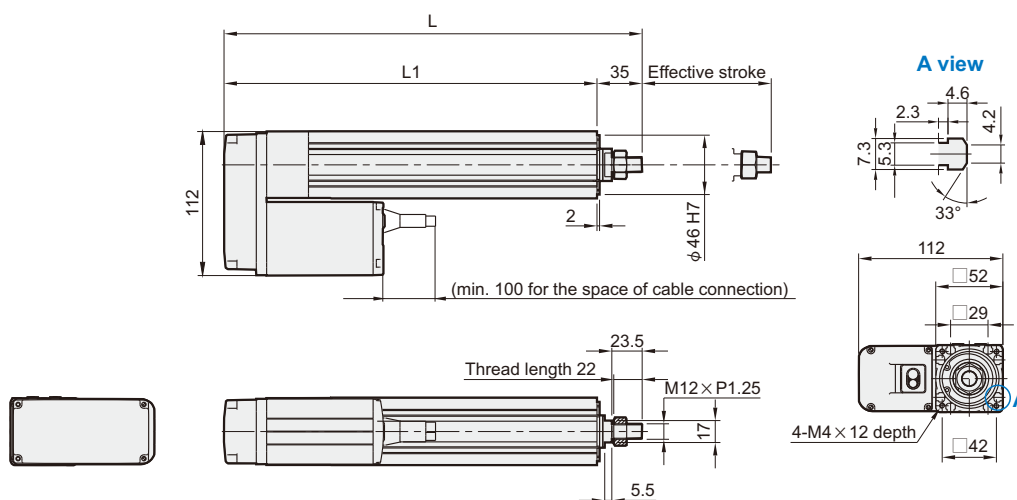


Unit: mm

Stroke	50	100	150	200	250	300
L	260	310	360	410	460	510
L1	225	275	325	375	425	475
KG	3.62	3.88	4.14	4.4	4.67	4.84

BL

Motor on left side



Unit: mm

Stroke	50	100	150	200	250	300
L	260	310	360	410	460	510
L1	225	275	325	375	425	475
KG	3.62	3.88	4.14	4.4	4.67	4.84